

~~Vernier technique for small~~ Time Interval Measurement technique -

Time interval measurement is the measurement of elapsed (pulsed) time between some designated START and STOP phenomenon.

In case of pulsed radar system these phenomenon are the transmitted pulse and the received echo.

Selectors are used to detect the presence of these pulses and a time discriminator is used to extract (and define) the timing information from the pulse relative to the event and deliver a pulse of standard amplitude or width or both to the timing circuit.

If pulse cannot have infinite rise time so the timing usually occurs when the pulse crosses a certain threshold.

A time interval meter (T.I.M.), Time to digital converter (TDC) or Time Counter are used to measure interval value into a digital value which can then be displayed in a decimal form.

The important specification to consider in time interval measurement.

- 2 - Minimum dead time \rightarrow The min. time b/w the stop pulse and the next start pulse
- 3 - Minimum pulse width \rightarrow — The shortest pulse the the TIM will recognise.
- 4 - Measurement Range —
The longest possible time the instrument can measure
- 5 - Non-linearity \rightarrow of the conversion process.
- 6 - Quantisation step or LSB
- 7 - Readout Speed — How fast the instrument can produce a result.

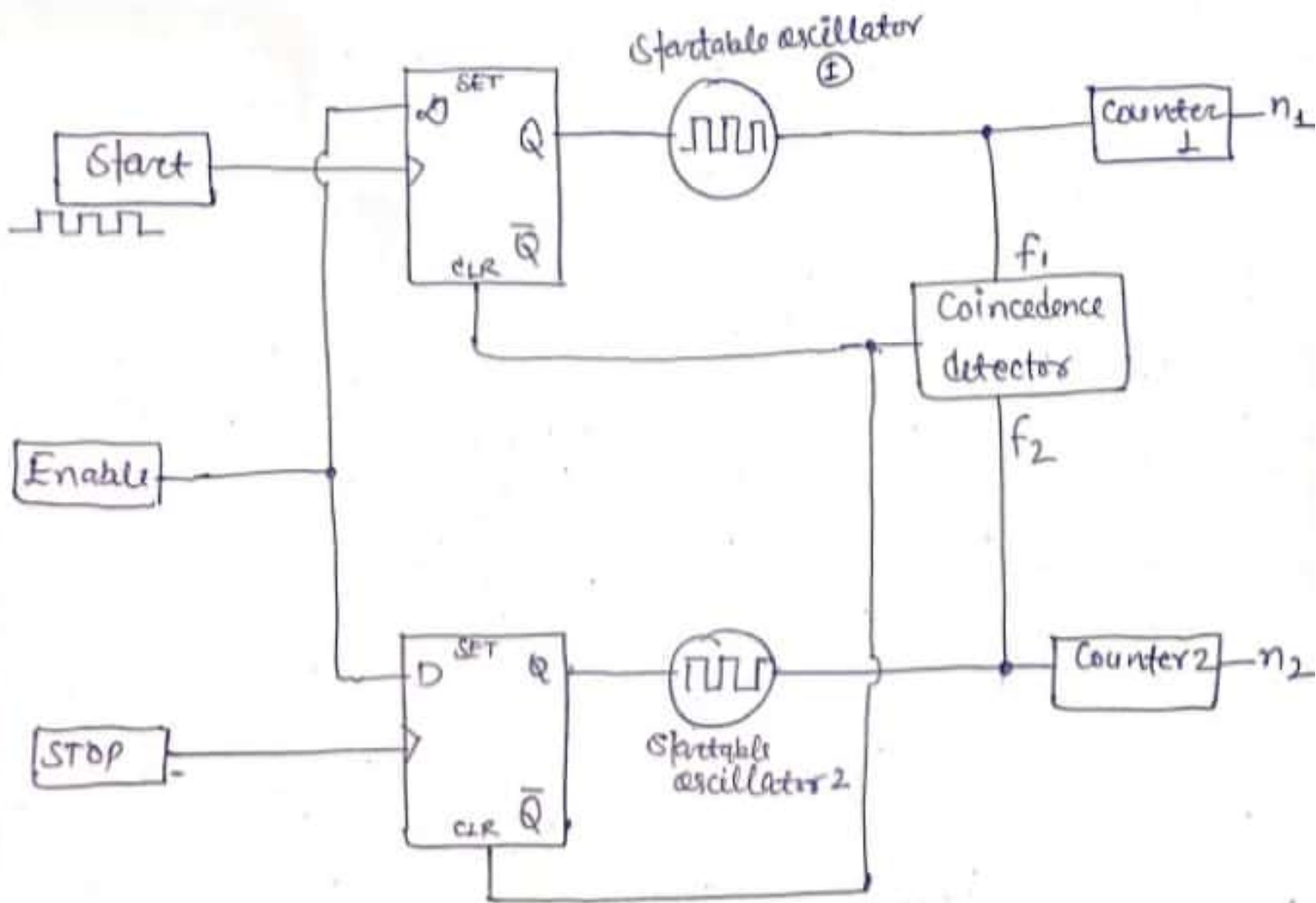
There are various technique and method of achieving precise and accurate Time Interval

1 - Time-stretching followed by a counter

2 - Time to voltage conversion followed by ADC conversion

2 - The vernier Method.

Vernier technique

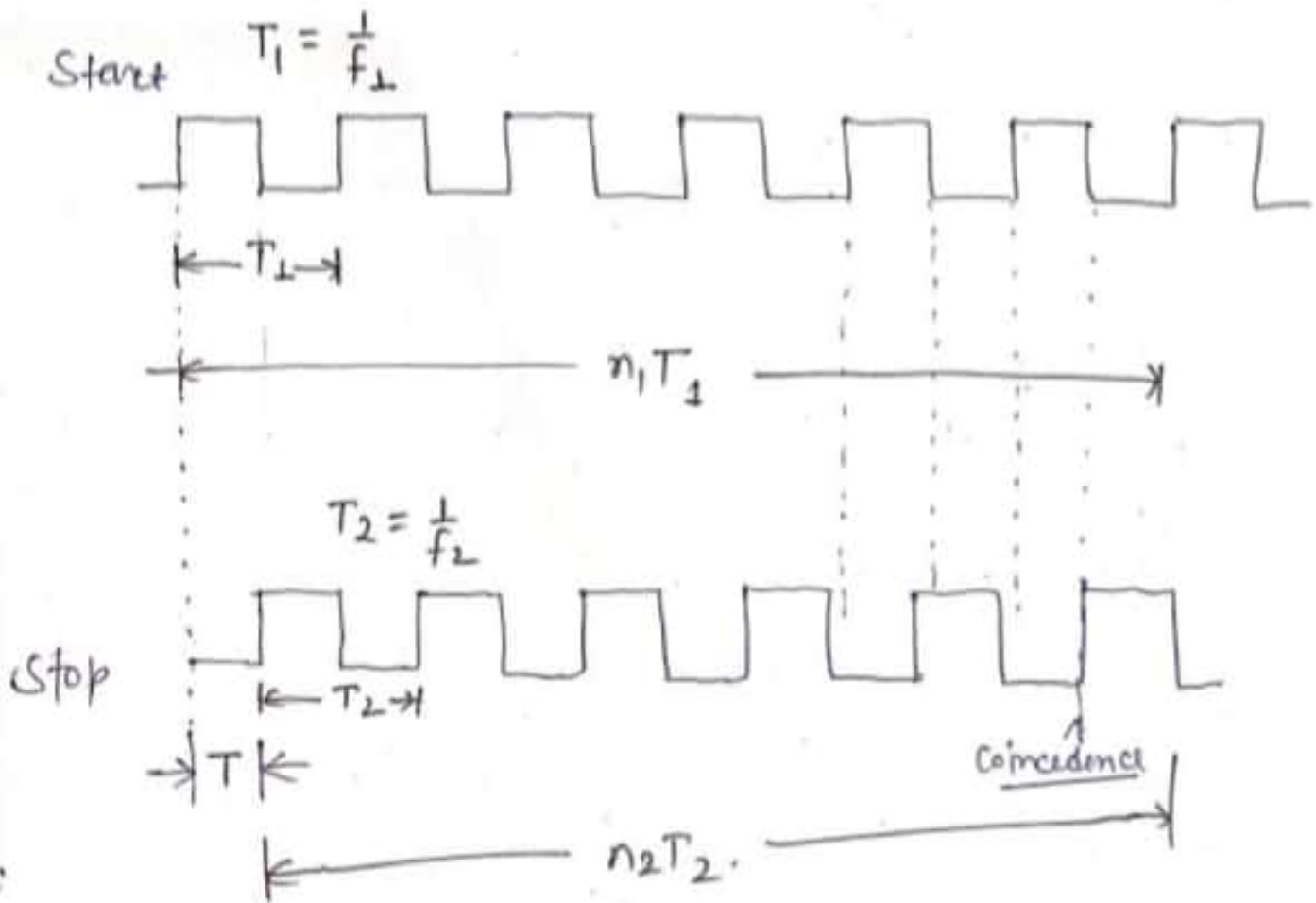


Vernier method uses two startable oscillators with difference frequency $f_1 = \frac{1}{T_1}$ and $f_2 = \frac{1}{T_2}$

f_1 & f_2 differ only by a small amount.

The resolution is therefore $\tau = T_1 - T_2$.

The startable oscillators are triggered by START and STOP instances respectively.



$$T = (n_1 - 1) T_1 - (n_2 - 1) T_2$$

From figure above
 if one make the period T_2 shorter than the period T_1
 , the number of period in stop channel will gradually
 catch up caught up with the start channel and
 the two oscillator are in phase, the coincidence
 circuit is triggered which stop the counter and
 switch off both oscillator. the oscillator are